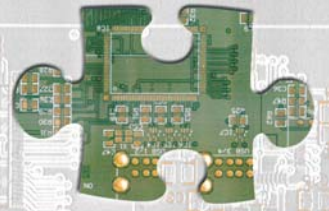
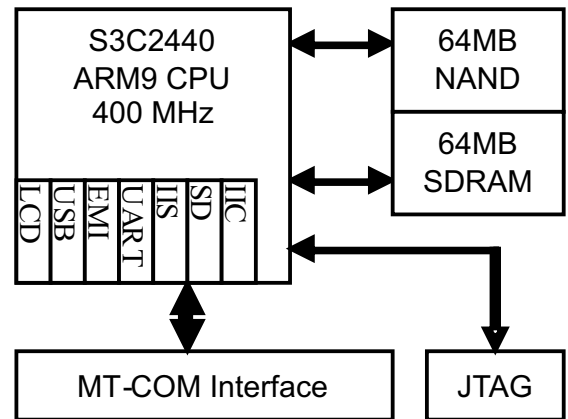
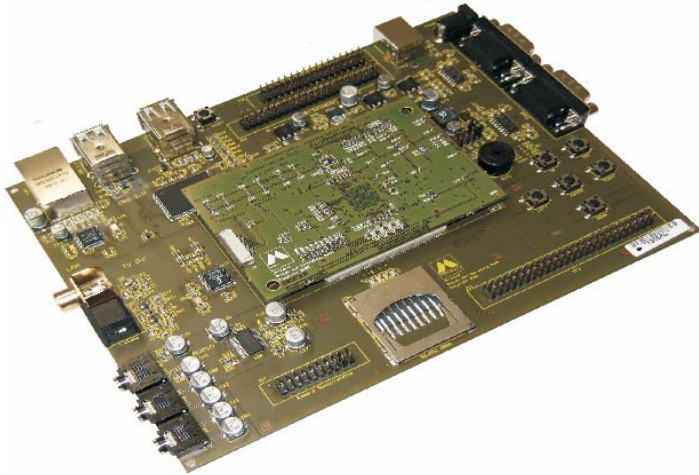


MT-COM 1



MT-COM 1 Evaluation Kit



Features

- Samsung S3C2440 ARM9 CPU, 400 MHz
- 64 MB NAND flash memory
- 64 MB SDRAM
- External memory interface with DMA
- LCD/TFT connection with resistive touchscreen
- USB 2.0 host
- USB 1.1 host / device
- 2 x UART
- I2S audio
- SD/MMC SDIO card reader
- Camera interface
- 4 status LEDs
- 2 x 100 pin connector
- 5 V voltage supply

Specification

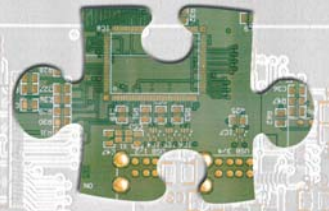
The MT-COM 1 Evaluation Kit offers the perfect base from which to take advantage of the MT-COM 1's functionality and connectivity.

The MT-COM 1 constitutes the core of your hardware and ensures this hardware is implemented rapidly in conjunction with a base board that you have built, all of which is guaranteed to be developed in the shortest possible time. This is primarily possible because you can create your software using our evaluation board and Windows CE operating system, before your hardware is even ready. In addition, the basic design (schematic) which is at your disposal means a base board suited to your requirements can be developed in a short time. Thanks to its quick 400 MHz ARM9 processor, its 64 MB SDRAM memory and its 64 MB flash memory, the MT-COM 1 provides more than satisfactory resources to run a multitude of applications.

In particular, using the Windows CE operating system decidedly simplifies and reduces the time required to develop your software, as low-level programming is no longer necessary and therefore the usual application programming under Windows operating systems is possible.

The basic design comprises 100 Mbit Ethernet and USB 2.0 connectivity, audio in- and outputs, a 24 bit LCD interface to connect a TFT display with integrated touchpad, TV-out (S-Video and composite), SD Card interface and serial interfaces.

MT-COM 1



MT-COM 1 Evaluation Kit

Technical data

- 2 * 100 pin connector to connect the MT-COM 1 module
- Ethernet interface with 100 Mbit and RJ45 socket
- 3 USB 2.0 host interfaces, USB-A jack
- 1 USB 1.1 host interface, USB-A jack
- 1 USB 1.1 client interface, USB-B jack
- 2 serial interfaces with 9 pin SUB-D plug
- Audio interface with line in, line out and microphone 3.5 mm stereo sockets
- Video output with Cinch composite output and mini-DIN S-Video output
- SD Card slot with push/push action
- Reset button
- 6 buttons
- 4 red status LEDs
- 50 pin 2.54 mm plug connector to connect a TFT module
- 20 pin 2.54 mm plug connector to connect a camera module
- 34 pin 2.54 mm plug connector as multi I/O interface
- 44 pin 2.54 mm plug connector as external memory interface
- Hollow-jack socket to connect to an external 5 volt power supply unit
- Voltage supply: +5.0 VDC / \pm 5%
- Power consumption: approx. 500 mA
- Operating temperature: 0°C to 70°C
- Dimensions (l x w x h): 186 mm x 140 mm x 20 mm
- Weight: approx. 197 g

Product contents

- Main board
- MT-COM 1 module
- 5 VDC / 10 W adapter
- USB cable
- USB to serial cable
- Ethernet cable
- JTAG parallel port interface including USB to parallel port cable
- Software CD

optional

- 3.5 inch TFT display with a resolution of 240*320 pixels and 24 bit colour depth
- 5.7 inch TFT display with a resolution of 640*480 pixels and 18 bit colour depth
- WLAN G USB stick
- SD Card, USB memory stick, USB hard drive

Subject to technical modifications



Contact

M-Tronic Design and Technology GmbH
Im Großen Gunterstal 8
66440 Blieskastel
Germany
Tel.: +49 (0)6842 - 96125 - 0
Fax: +49 (0)6842 - 96125 - 99
www.m-tronic-dt.de
info@m-tronic-dt.de