

ADKOM Elektronik GmbH, Germany

PRODUCT DRAWING

DOCUMENT NO.:

SPECIFICATION
NO.: AD2012

REVISION:
C

TITLE: DRAWING OF AD2012

ORIGINAL ISSUE
DATE: 07/08/96

TOTAL PAGES:
4

INITIATE

REVISE

EFFECTIVE
DATE:

REVISIONS

REV	REVISION DESCRIPTION	DATE
A	Changed pin and size	28/01/97
B	Changed sample's pins type from staight to bended.	
C	Changed temperature.	15 MAR 2004

ORIGINATOR

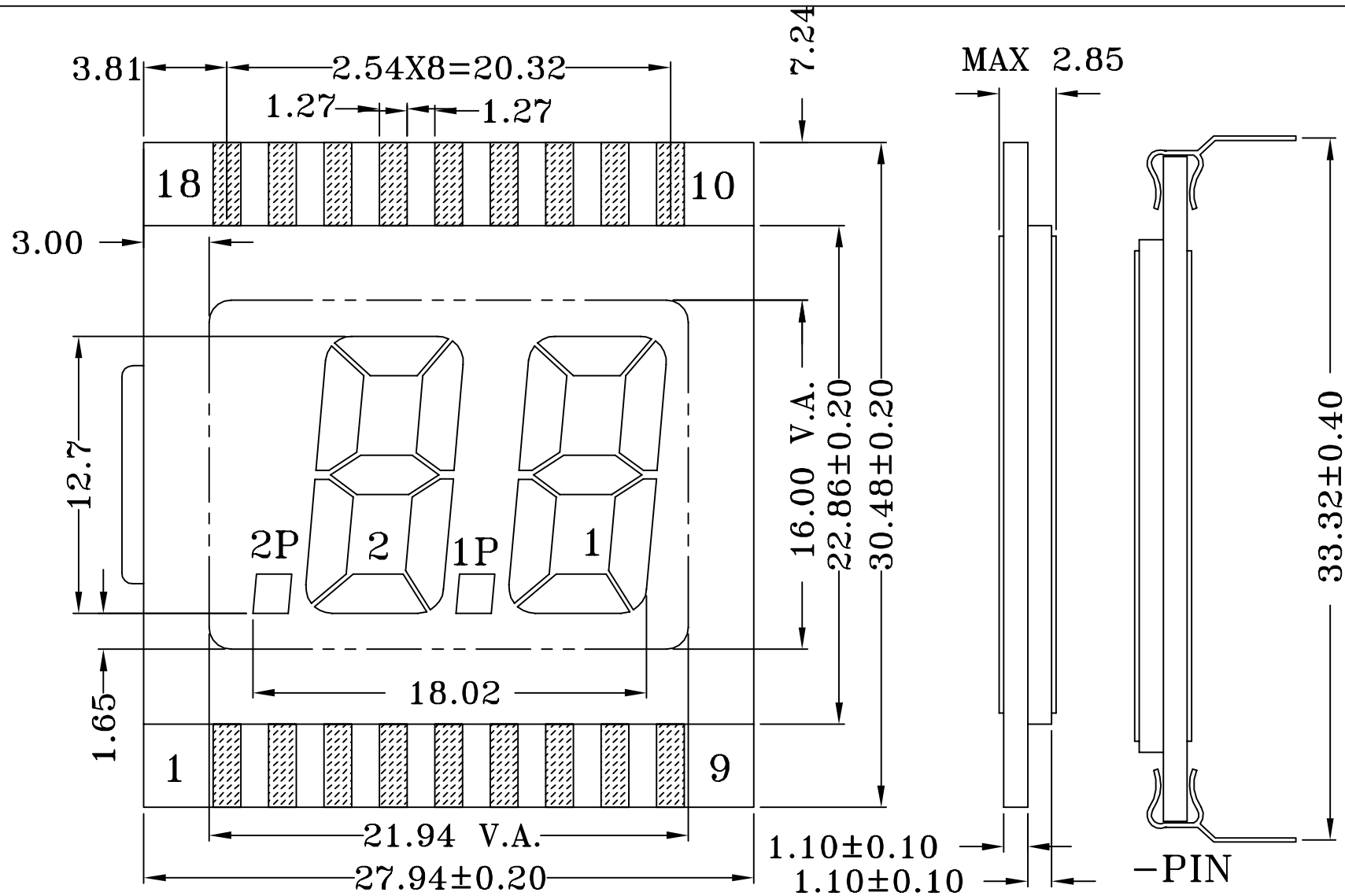
DESIGN MGR.



确认此图请签字回传。如需样品，请详细注明。

Please sign and fax back this page to confirm this drawing.
Please indicate if you need samples.

Authorized Signatures



REV	C
-----	---

ADKOM Elektronik GmbH, Germany

DRAWN BY:	LCD NO: AD2012
CHECKED BY:	
APPROVED BY:	
LCD DRIVER :	SHEET NO : 2 OF 4

UNIT: MM

A. Dimensions:

1. Length of top glass:
27.94±0.20 mm

Width of top glass:
30.48±0.20 mm

2. Length of bottom glass:
27.94±0.20 mm

Width of bottom glass:
22.86±0.20 mm

3. Thickness of LCD(max):
2.85 mm

4. Thickness of glass:
Top: 1.10 mm
Bottom: 1.10 mm

5. Length of viewing area:
Horizontal: 21.94 mm
Vertical: 16.00 mm

B. Display specification:

1. Duty: STATIC

2. Bias: _____

3. Operating voltage: 5.0 V

4. Viewing angle: 6:00

5. Temperature:
Operating: -20 TO +80°C
Storage: -30 TO +85°C

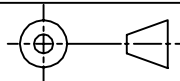
6. Polarizer:
Top: TRANSMISSIVE
Bottom: REFLECTIVE

7. End seal: LEFT

8. Length of pin: 6.35 mm
Pitch of pin: 2.54 mm

REV C

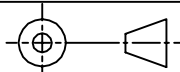
ADKOM Elektronik GmbH, Germany

DRAWN BY:	LCD NO: AD2012
CHECKED BY:	
APPROVED BY:	
LCD DRIVER :	SHEET NO : 3 OF 4

PIN	1	2	3	4	5	6	7	8	9
COM	COM	2P	2E	2D	2C	1P	1E	1D	1C
PIN	10	11	12	13	14	15	16	17	18
COM	1B	1A	1F	1G	2B	2A	2F	2G	COM

REV	C
-----	---

ADKOM Elektronik GmbH, Germany

DRAWN BY:	LCD NO: AD2012
CHECKED BY:	
APPROVED BY:	
LCD DRIVER :	SHEET NO : 4 OF 4