

# ADKOM Elektronik GmbH, Germany

PRODUCT DRAWING

DOCUMENT NO.:

SPECIFICATION  
NO.: AD35129

REVISION:  
D

TITLE: DRAWING OF AD35129

ORIGINAL ISSUE  
DATE: 19/11/96

TOTAL PAGES:  
4

- INITIATE  
 REVISE

EFFECTIVE  
DATE:

## REVISIONS

REV	REVISION DESCRIPTION	DATE
A	Changed temp & digits	26/11/96
B	Marked dim of pins	06/12/96
C	Changed the pinlength to 8.5mm.	19/05/98
D	Changed drawing to with pins.	08/05/03

ORIGINATOR

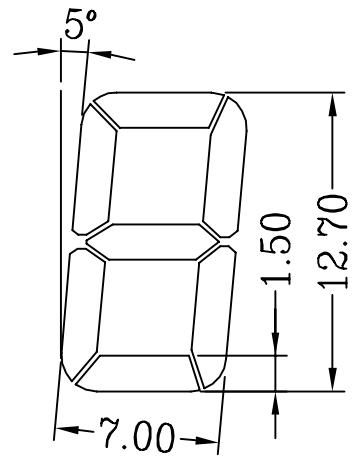
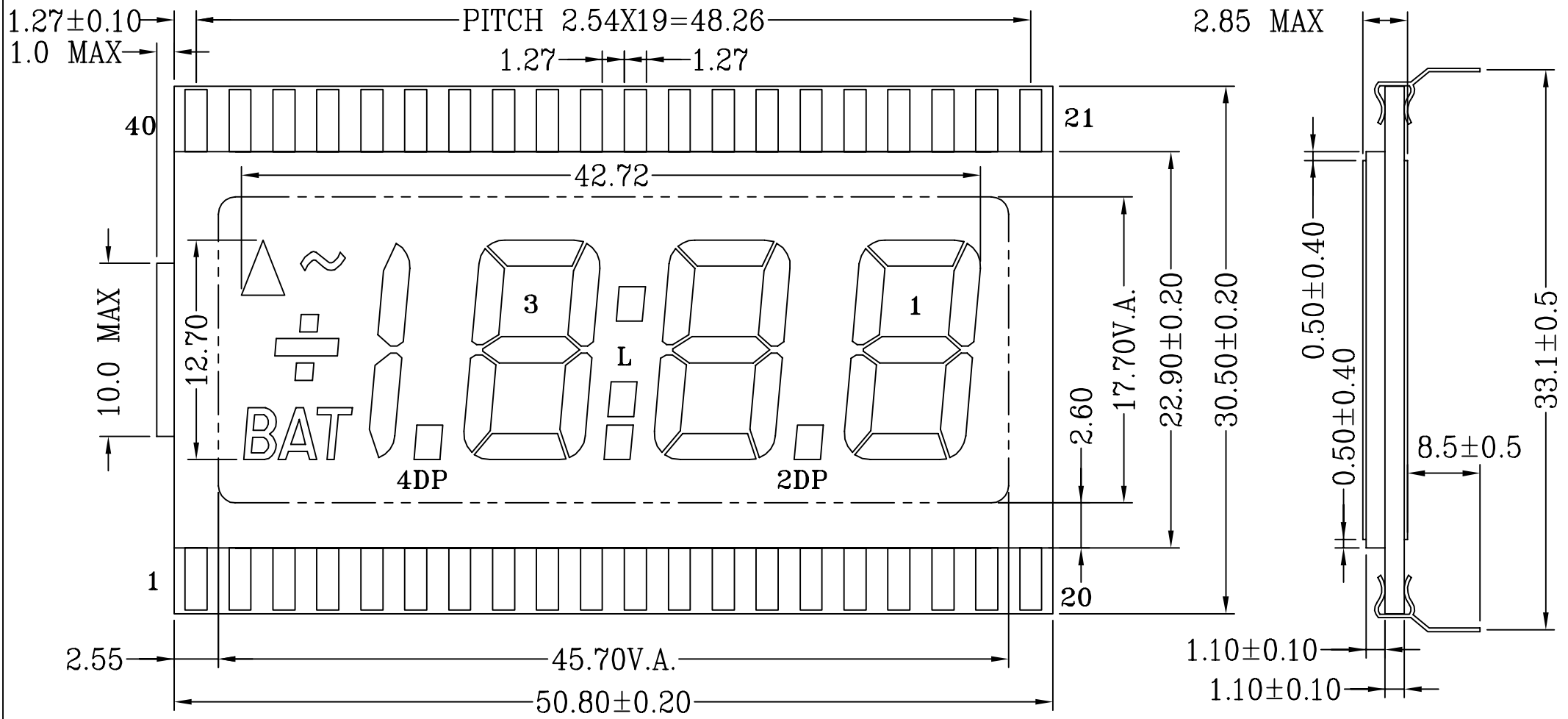
DESIGN MGR.



确认此图请签字回传。如需样品，请详细注明。

Please sign and fax back this page to confirm this drawing.  
Please indicate if you need samples.

\_\_\_\_\_  
Authorized Signatures



Note: Print below on backpolarizer:  
AD35129 Rev. D

REV	D
-----	---

<b>ADKOM Elektronik GmbH, Germany</b>			
DRAWN BY:		LCD NO: AD35129	
CHECKED BY:		UNIT: MM	
APPROVED BY:			
LCD DRIVER :		SHEET NO : 2 OF 4	

A. Dimensions:

1. Length of top glass:  
50.80±0.20 mm

Width of top glass:  
22.90±0.20 mm

2. Length of bottom glass:  
50.80±0.20 mm

Width of bottom glass:  
30.50±0.20 mm

3. Thickness of LCD(max):  
2.85 mm

4. Thickness of glass:  
Top: 1.10 mm  
Bottom: 1.10 mm

5. Length of viewing area:  
Horizontal: 45.70 mm  
Vertical: 17.70 mm

B. Display specification:

1. Duty: STATIC

2. Bias: \_\_\_\_\_

3. Operating voltage: 5.0V

4. Viewing angle: 6:00

5. Temperature:  
Operating: -25 TO +70°C

Storage: -30 TO +80°C

6. Polarizer:  
Top: TRANSMISSIVE

Bottom: REFLECTIVE

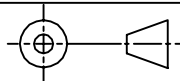
7. End seal: LEFT


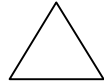
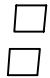
8. Length of pin: 8.5 mm

Pitch of pin: 2.54 mm

REV D

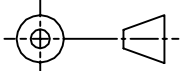
**ADKOM Elektronik GmbH, Germany**

DRAWN BY:	LCD NO: AD35129
CHECKED BY:	
APPROVED BY:	
LCD DRIVER :	SHEET NO : 3 OF 4

PIN	1	2	3	4	5	6	7	8	9	10
COM	COM	—	B-C					4DP	3E	3D
PIN	11	12	13	14	15	16	17	18	19	20
COM	3C	3DP	2E	2D	2C	2DP	1E	1D	1C	1B
PIN	21	22	23	24	25	26	27	28	29	30
COM	1A	1F	1G	2B	2A	2F	2G	L	3B	3A
PIN	31	32	33	34	35	36	37	38	39	40
COM	3F	3G								BAT

REV	D
-----	---

**ADKOM** Elektronik GmbH, Germany

DRAWN BY:	LCD NO: AD35129
CHECKED BY:	
APPROVED BY:	
LCD DRIVER :	SHEET NO : 4 OF 4