

ADKOM Elektronik GmbH, Germany

PRODUCT DRAWING

CUSTOMER NO.:

FILENAME:

REVISION: A

DRAWING OF AD3573

ORIGINAL DATE: 23/05/98

TOTAL PAGES: 4

INITIATE

REVISE

EFFECTIVE DATE:

REVISIONS

REV	DESCRIPTION	DATE

ORIGINATOR

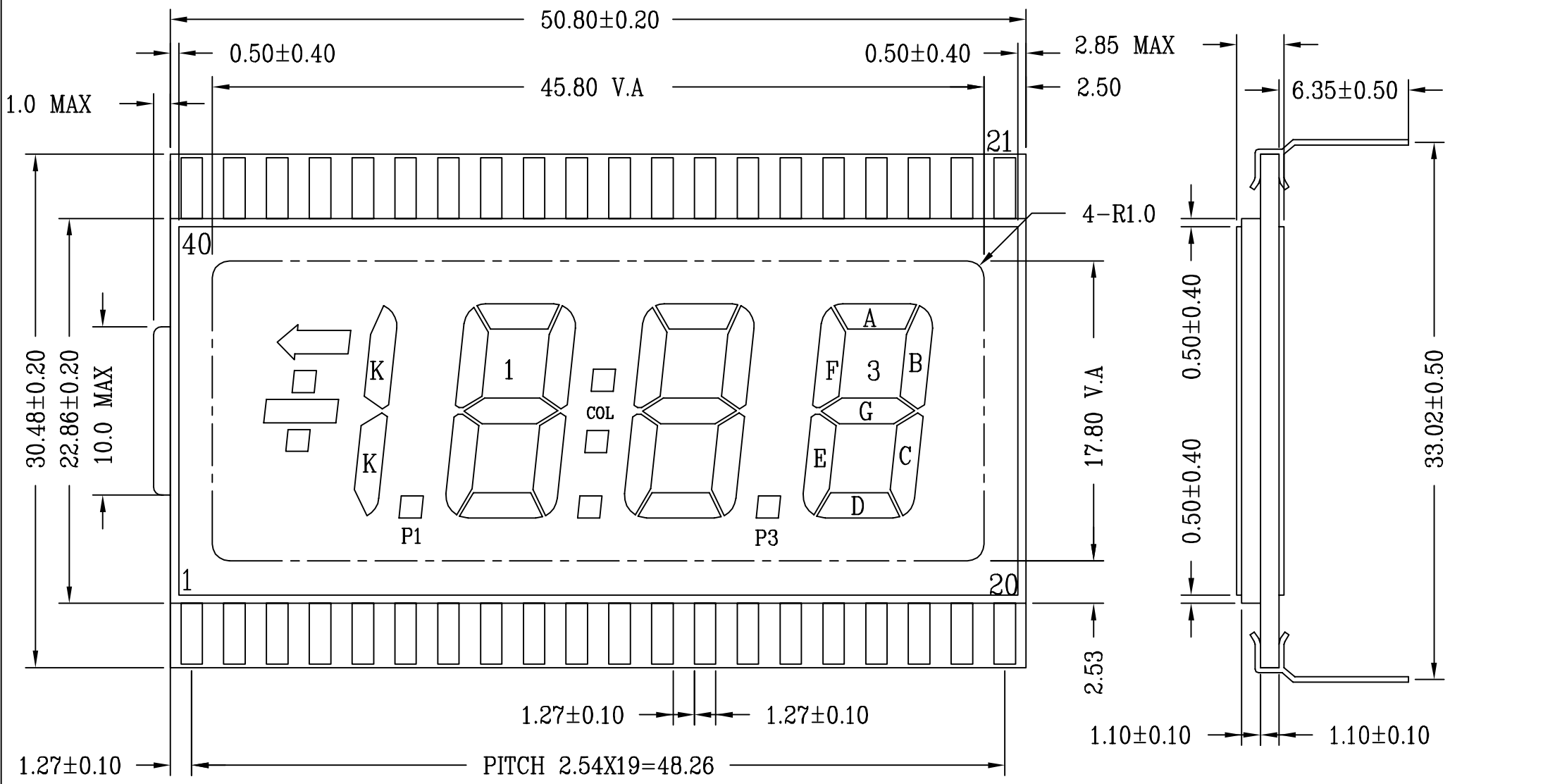
DESIGN MGR.



确认此图请签字回传。如需样品，请详细注明。

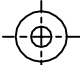
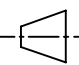
Please sign and fax back this page to confirm this drawing.
Please indicate if you need samples.

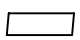
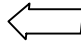
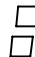
Authorized Signatures

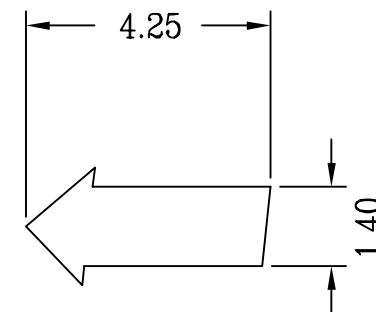
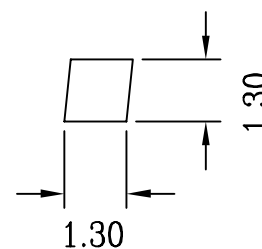
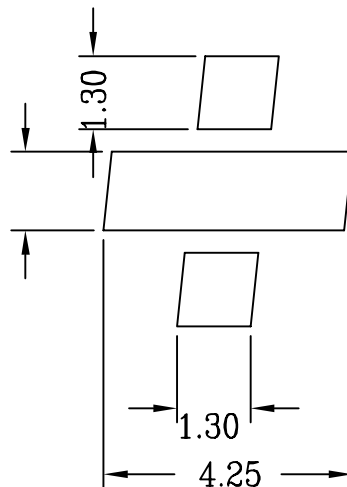
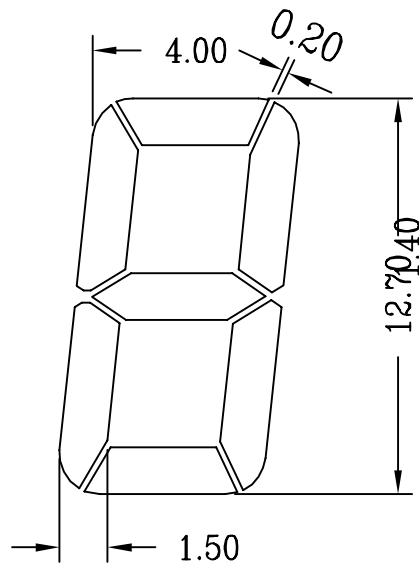
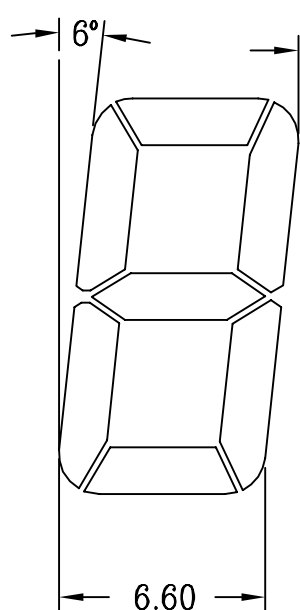


REV	A
-----	---

ADKOM Elektronik GmbH, Germany

Designed by:	AD3573
Checked by:	
Approved by:	  Unit: MM Sheet: 2 OF 4
Filename:	

PIN	1	2	3	4	5	6	7	8	9	10	11	12	13	14
COM1	COM1		K					P1	E1	D1	C1	P2	E2	D2
PIN	15	16	17	18	19	20	21	22	23	24	25	26	27	28
COM1	C2	P3	E3	D3	C3	B3	A3	F3	G3	B2	A2	F2	G2	COL
PIN	29	30	31	32	33	34	35	36	37	38	39	40		
COM1	B1	A1	F1	G1								COM1		



REV	A
-----	---

ADKOM Elektronik GmbH, Germany

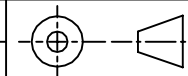
Designed by:

AD3573

Checked by:

Approved by:

Filename:



Unit: MM

Sheet: 3 OF 4

A. Dimensions:

1. Length of top glass:
50.80±0.20 mm
- Width of top glass:
22.86±0.20 mm
2. Length of bottom glass:
50.80±0.20 mm
- Width of bottom glass:
30.48±0.20 mm
3. Thickness of LCD(max):
2.85 mm
4. Thickness of glass:
Top: 1.10 mm
Bottom: 1.10 mm
5. Length of viewing area:
Horizontal: 45.80 mm
Vertical: 17.80 mm

B. Display specification:

1. Duty: STATIC
2. Bias: _____
3. Operating voltage: 5.0 V
4. Viewing angle: 6:00
5. Temperature:
Operating: -20 TO +80°C
Storage: -30 TO +85°C
6. Polarizer:
Top: TRANSMISSIVE
Bottom: REFLECTIVE
7. End seal: LEFT
8. Length of pin: 6.35 mm
Pitch of pin: 2.54 mm

REV A

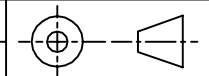
ADKOM Elektronik GmbH, Germany

Designed by:

AD3573

Checked by:

Approved by:



Unit: MM

Filename:

Sheet: 4 OF 4