

ADKOM Elektronik GmbH, Germany

PRODUCT DRAWING

CUSTOMER NO.:

FILENAME:

REVISION: G

DRAWING OF AD3583-1

ORIGINAL DATE: 09/03/98

TOTAL PAGES: 5

INITIATE
 REVISE

EFFECTIVE DATE:

REVISIONS

REV	DESCRIPTION	DATE
D	Changed width of "LOBAT" to 8.20mm.	06/29/95
E	Changed operating temp. -30 to +70°C storage temp. -40 to +85°C LC is ZLI2248	03/14/97
F	Change operating temperature to -30 to +80°C	25/11/98
G	Change the size of vertical V.A to 20.00mm.	26/02/99

ORIGINATOR

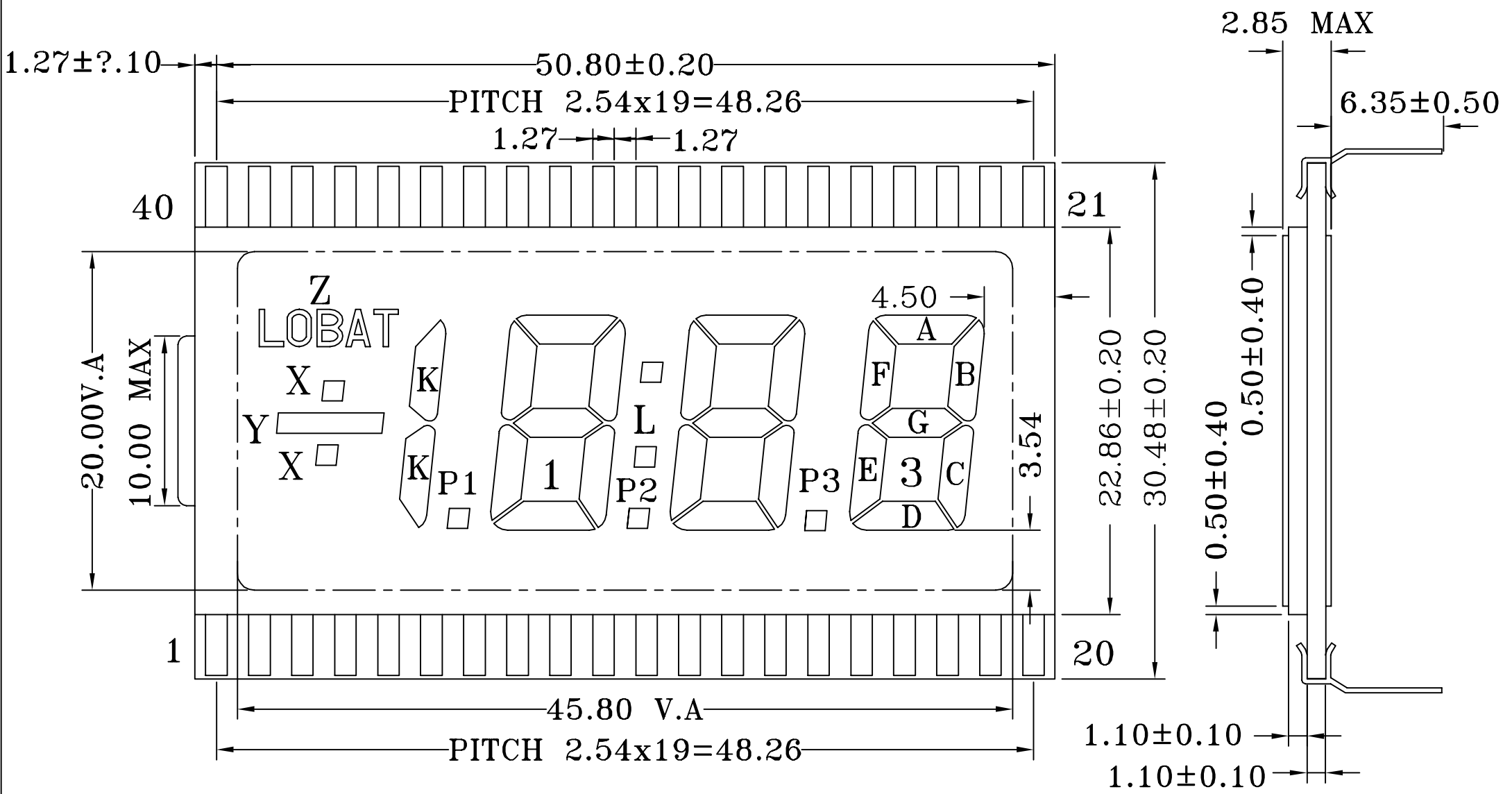
DESIGN MGR.



确认此图请签字回传。如需样品，请详细注明。

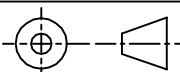
Please sign and fax back this page to confirm this drawing.
Please indicate if you need samples.

Authorized Signatures



REV G

ADKOM Elektronik GmbH, Germany

Designed by:	AD3583-1
Checked by:	
Approved by:	 Unit: MM Sheet: 2 OF 5
Filename:	

A. Dimensions:

1. Length of top glass:
50.80±0.20 mm

Width of top glass:
22.86±0.20 mm

2. Length of bottom glass:
50.80±0.20 mm

Width of bottom glass:
30.48±0.20 mm

3. Thickness of LCD(max):
2.85 mm

4. Thickness of glass:
Top: 1.10 mm
Bottom: 1.10 mm

5. Length of viewing area:
Horizontal: 45.80 mm
Vertical: 20.00 mm

B. Display specification:

1. Duty: STATIC

2. Bias: _____

3. Operating voltage: 5.0V

4. Viewing angle: 6:00

5. Temperature:

Operating: -30 TO +80°C

Storage: -40 TO +85°C

6. Polarizer:

Top: TRANSMISSIVE

Bottom: REFLECTIVE

7. End seal: LEFT

8. Length of pin: 6.35 mm

Pitch of pin: 2.54 mm

REV

G

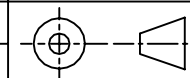
ADKOM Elektronik GmbH, Germany

Designed by:

AD3583-1

Checked by:

Approved by:



Unit: MM

Filename:

Sheet: 3 OF 5

PIN	1	2	3	4	5	6	7	8	9	10
COM1	COM	Y	K					P1	E1	D1
PIN	11	12	13	14	15	16	17	18	19	20
COM1	C1	P2	E2	D2	C2	P3	E3	D3	C3	B3
PIN	21	22	23	24	25	26	27	28	29	30
COM1	A3	F3	G3	B2	A2	F2	G2	L	B1	A1
PIN	31	32	33	34	35	36	37	38	39	40
COM1	F1	G1						Z	X	COM

REV	G
-----	---

ADKOM Elektronik GmbH, Germany

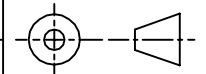
Designed by:

AD3583-1

Checked by:

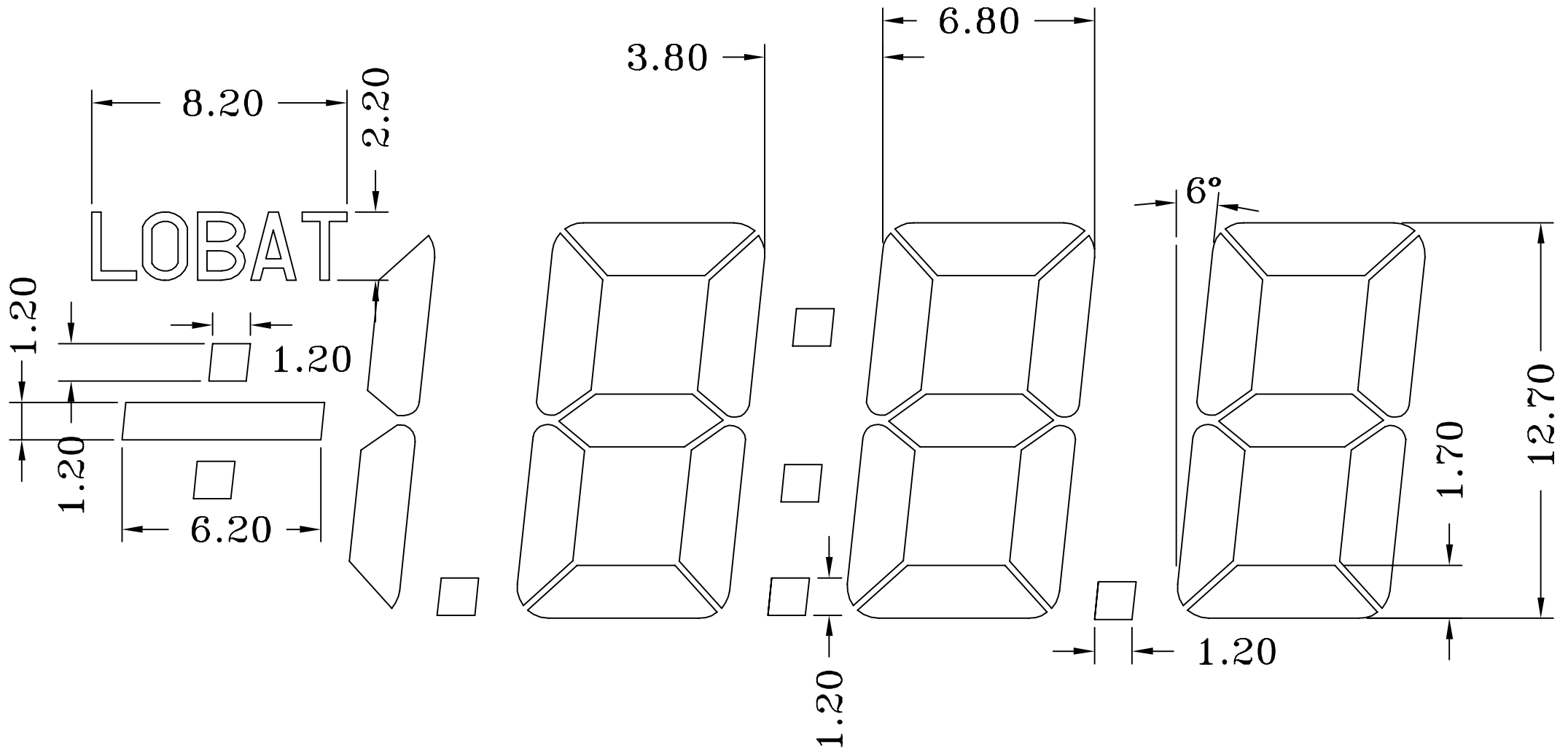
Approved by:

Filename:



Unit: MM

Sheet: 4 OF 5



REV

G

ADKOM Elektronik GmbH, Germany

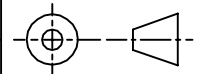
Designed by:

AD3583-1

Checked by:

Approved by:

Filename:



Unit: MM

Sheet: 5 OF 5