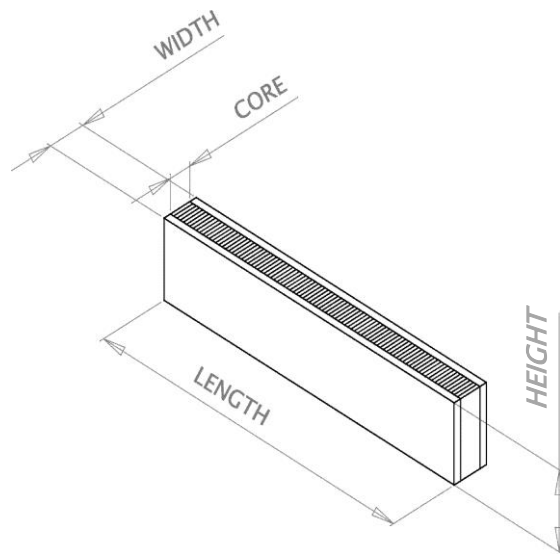


Information as to sizing of elastomeric connectors



In order to unitize measurement unit in European and Asian interpretation and to avoid misunderstanding you may fill in your dimensions here.

Dimensions in mm

TYPE	LENGTH	HEIGHT	WIDTH	CORE WIDTH	PITCH
------	--------	--------	-------	------------	-------

Notes:

- YL- Four sides conducting
- YY- Printing
- YS - Transparent sandwiching
- YSP - Two sides red foamed

Your product-# / project-#

ADKOM Elektronik GmbH

PO. Box 1133 - Oberhaeuser Str. 12 - D-73098 Rechberghausen - Germany
 Phone: +49-(0)7161-9589-0 - Fax: +49-(0)7161-9589-99 - info@adkom.de

www.adkom.de

ADKOM™